



# REC4R

4" LED FIRE RATED ROUND BUILDERS PLUS SERIES DOWNLIGHT

**PROJECT:** \_\_\_\_\_

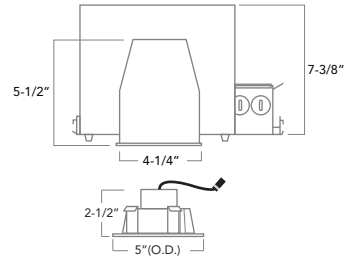
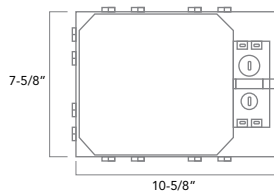
**MODEL #:** \_\_\_\_\_

**LOCATION:** \_\_\_\_\_

**CONTACT:** \_\_\_\_\_



## DIMENSIONS



### Use of Product

The Fire Rated LED New Construction Downlight Series provides 2 hour fire protection by utilization of non-combustible insulation within the fixture's double wall. This design prevents flames, toxic gases, and ignitable gases to pass through into the ceiling plenum making a great choice for residential, multifamily, and commercial applications.

### Features

- 2 Hour fire rating
- Rated for direct contact with insulation.
- Insulation also performs as sound barrier thereby preventing sound between floors
- Lumens: 715 Lumens
- Input Power: 10.6W
- Frequency: 50/60Hz
- Voltage: 120V
- Color Temperature Selectable: 2700K, 3000K, 3500K
- CRI: 90+
- Finish: White
- Trim: Round
- Wet Location Listed

### LED ENGINE

LED engine available in 2700K, 3000K, 3500K in 90+ CRI. Color temperature may be modified in field.

### LED Driver

Durable Triac/ELV, 120V dimmable driver provides high power factor with the optimum thermal management to prevent damage caused by high temperature. Driver protections include: output open load, over-current and short circuit, and over temperature with auto recovery.

### Module Mechanics

REC4R is designed with diecast body painted white for heat dissipation. Lens provides even light output, glare control, Hidden from view. Tension clips pre-installed on unite for easy ceiling installing.

### Plaster Frame

Galvanized steel construction. The housing can be removed from plaster frame to provide access to the junction box.

### Housing

Die formed 22 gauge galvanized steel construction. Housing interior is comprised of a flexible non-combustible insulation.

### Junction Box

- Listed for through branch circuit wiring.
- Contains one 1-1/8", one 1/2", three 7/8" knockouts. and four Romex pryouts with strain relief.

### Bar Hanger

- Pre-installed real nail easily installs in regular lumber or engineered lumber.
- Bar hangers are adjustable from 13-5/8" to 25" and can be repositioned to 90° on plaster frame.
- Swivel bar hanger bendable at 90° angle for easy installation.

### Labels/compliance

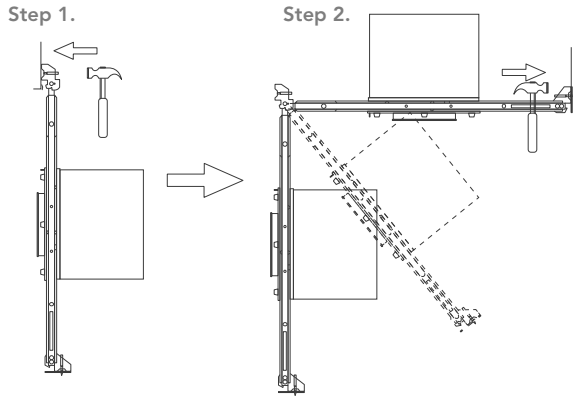
- UL1598
- UL263
- cULus Listed for feed through
- Certified under ASTM-E283 for air tight construction
- CSA Classified for wet location
- LM79 and LM80
- Title 24 & JA8 compliant
- Energy Star

RHL4F-ICAT & REC4R

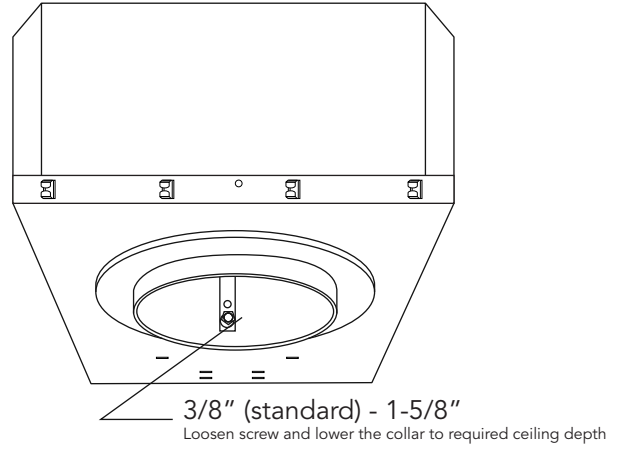
## ORDERING INFO

RHL4F-ICAT	REC4R	7L	CTS	S	W
Series	Module	Lumens	Color Temperature	Reflector	Finish
RHL4F-ICAT - 4" IC Fire Rated Air-Tight New Construction LED Housing	REC4R	7L - 715 Lumens	CTS - Color Temperature Selectable (2700K, 3000K, 3500K)	S - Smooth	W - White

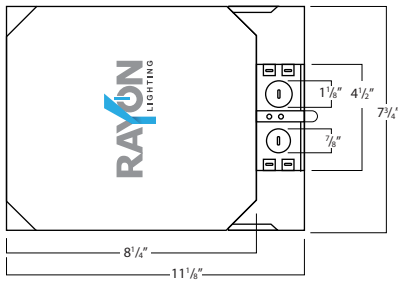
### INSTALLATION BY SWIVEL BAR HANGER



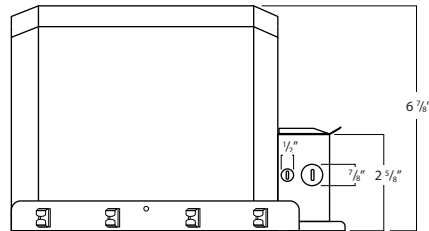
### CEILING THICKNESS



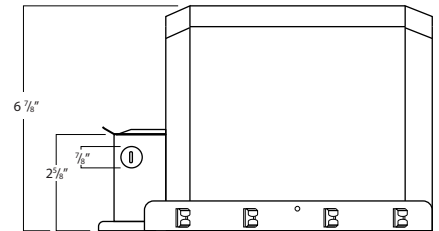
### KNOCKOUT DIMENSIONS



Aerial View



Right Side Profile



Left Side Profile

RHL4F-ICAT & RECAR